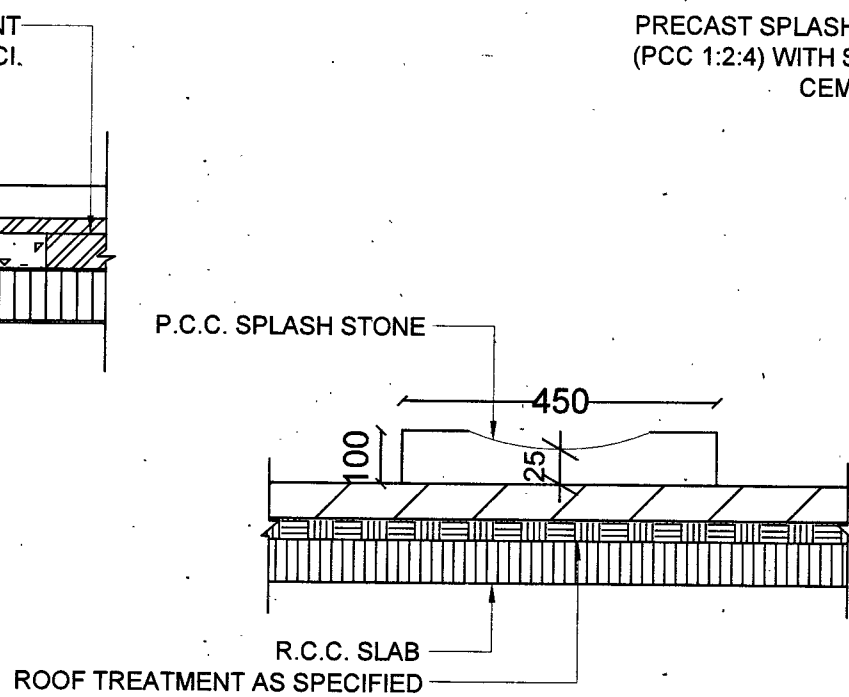
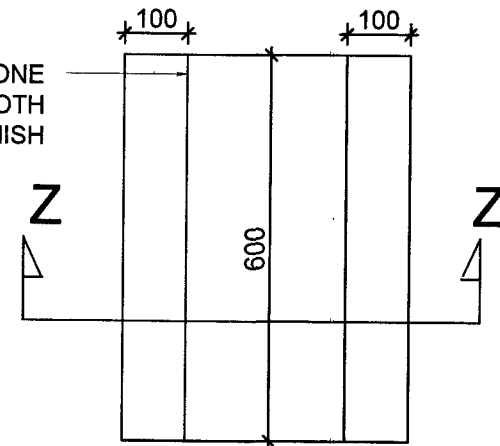


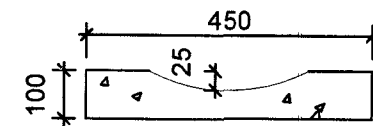
DETAIL OF RWP FIXED EXTERNALLY IN PARAPET WALL
SCALE:-1:20



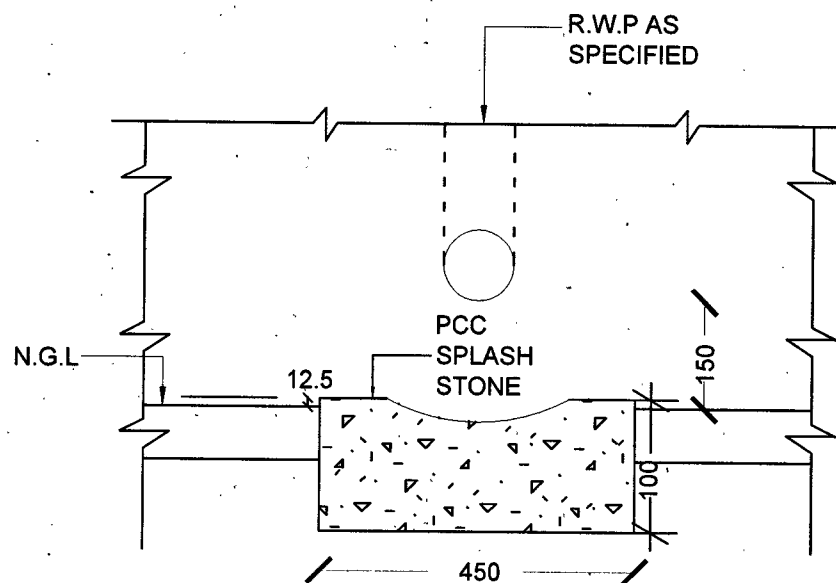
DETAIL OF SPLASH STONE ON ROOF TERRACE



PLAN OF SPLASH STONE



SECTION Z-Z



DETAIL OF SPLASH STONE

- NOTES:**
1. CONTRACTOR TO CHECK & VERIFY ALL DIMENSIONS BEFORE EXECUTION OF THE WORK.
 2. FIGURED DIMENSIONS SHALL BE FOLLOWED
 3. WHERE EVER STONE PAVEMENT ARE PROVIDED IN LIEU OF BRICK ON EDGE/ END THE STONE SOLING PROVIDED SHALL BE 15 CM THICK.
 4. BRICK EDGING & BERM WILL BE LAID AFTER COMPLETION OF WATER BOUND MACADAM.
 5. ALL DIMENSIONS ARE IN MILLIMETER.

ARCH DRAWINGS PREPARED UNDER CONSULTANCY BY M/S THE DESIGN FACTORY, 293, CHHOTI BARANDARI PART-1 JALANDHAR, PUNJAB. THE SAME ARE SIGNED BY US AS PER E-IN-C'S BRANCH POLICY LETTER NO.08/2017 ISSUED UNDER E2 WORKS (PPC) SUB DTE, DTE OF WORKS LETTER NO. A/00157/23-1/POL/E2W(PPC) DATED 02 JULY 2017

SL NO	DATE	DESCRIPTION	INITIAL
REVISION			

DETAILS OF RWP, SPLASH STONE

DATE	13/03/2025	CHIEF ENGINEER JALANDHAR ZONE	SHEET NO
DRAWN			01
CHKD			01
SCALE	AS SHOWN	DRG NO : CEJZ / TD-102 / 2025	
CONSULTANTS:		293 CHHOTI BARANDARI PART 1 - JALANDHAR +91 9876602949 thedesignfactory7@gmail.com	

[Signature]
 THE DESIGN FACTORY
 AAD (ARCH)
 DIRECTOR (ARCH)
 for CHIEF ENGINEER